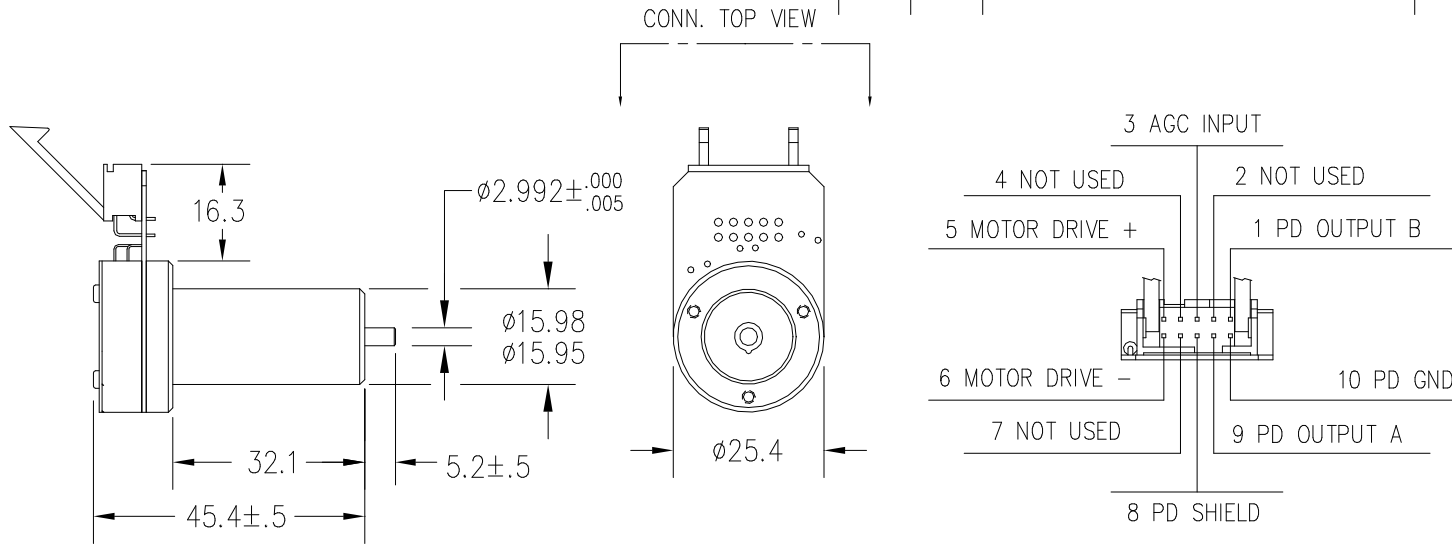


These drawings and specifications are the property of CAMBRIDGE TECHNOLOGY and shall not be reproduced, or copied, or used as the basis for the manufacture, or sale of apparatus without the written permission of CAMBRIDGE TECHNOLOGY, INC.

REVISION				
ECO	REV	DESCRIPTION	APPR	DATE
680	B	END VIEW OF CONN. CORRECTED	PTH	12/94
-	C	AGC INPUT WAS 'OUTPUT'	PTH	3/95
2091	D	DIMS WERE IN INCHES, SHAFT DIM WAS $\phi 2.995 + .000 / - .005$	PTH	5/02
2529	E	$5.2 \pm .5$ DIM WAS 5.0	PTH	12/03



MASS = 70 GRAMS  
(ALL DIMENSIONS ARE IN MM)

	UNLESS OTHERWISE SPECIFIED TOLERANCES .X = ±.3 .XX = ±.13 ( ) INDICATES inches ANGLES ± 0°-30'	DRN		CAMBRIDGE TECHNOLOGY, INC. 109 SMITH PLACE CAMBRIDGE, MA. 02138 - USA
		DES		
		CHK		6810P OUTLINE DWG.
		ENG		
		APPR		D02456
	MATERIAL	PROJECTION		
	FINISH	REVISION	E	SCALE NONE
USED ON				