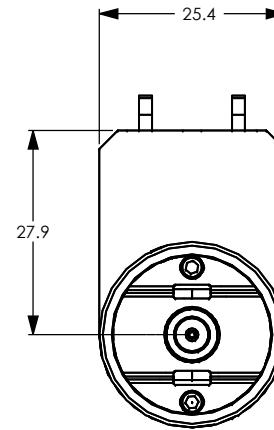
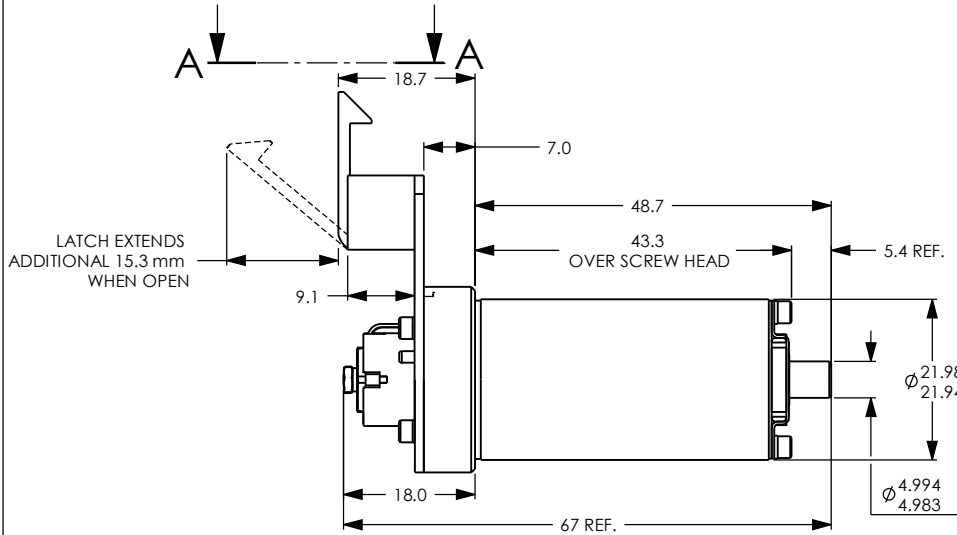
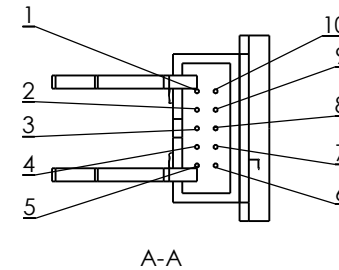


These drawings and specifications are the property of CAMBRIDGE TECHNOLOGY and shall not be reproduced, or copied, or used as the basis for the manufacture, or sale of apparatus without the written permission of CAMBRIDGE TECHNOLOGY, INC.

| REVISION |     |                                                                                                                                                 |      |          |
|----------|-----|-------------------------------------------------------------------------------------------------------------------------------------------------|------|----------|
| ECO      | REV | DESCRIPTION                                                                                                                                     | APPR | DATE     |
| 2805     | C   | Change dim to dia 21.94-21.98 from 22+0/-0.002; change dim form 66.4 to 67 REF; change dim from 17.7 to 18.0; change mass from 135.0 g to 144 g | ---- | 04/07/06 |



(ALL DIMENSIONS ARE IN mm)  
 TOL: .X ±.4  
 .XX ±.13  
 MASS = 144 grams



| PIN | DESCRIPTION |
|-----|-------------|
| 1   | PD OUTPUT B |
| 2   | PD GND      |
| 3   | AGC         |
| 4   | PD SHIELD   |
| 5   | MOTOR +     |
| 6   | MOTOR -     |
| 7   | PD SHIELD   |
| 8   | PD SHIELD   |
| 9   | PD OUTPUT A |
| 10  | PD GND      |

|            |               |                                                                              |
|------------|---------------|------------------------------------------------------------------------------|
| DRN        |               | CAMBRIDGE TECHNOLOGY, INC.<br>25 HARTWELL AVENUE<br>LEXINGTON, MA 02421-3102 |
| DES        |               |                                                                              |
| CHK        |               |                                                                              |
| ENG        |               |                                                                              |
| APPR       |               | TITLE                                                                        |
| PROJECTION |               | <b>6231HC<br/>OUTLINE DRAWING</b>                                            |
| DRW. NO.   | <b>D06045</b> |                                                                              |
| USED ON    |               | REVISION <b>C</b>                                                            |
|            |               | SCALE 3:2                                                                    |
|            |               | SHEET 1 OF 1                                                                 |

MODEL NAME: 6231HC